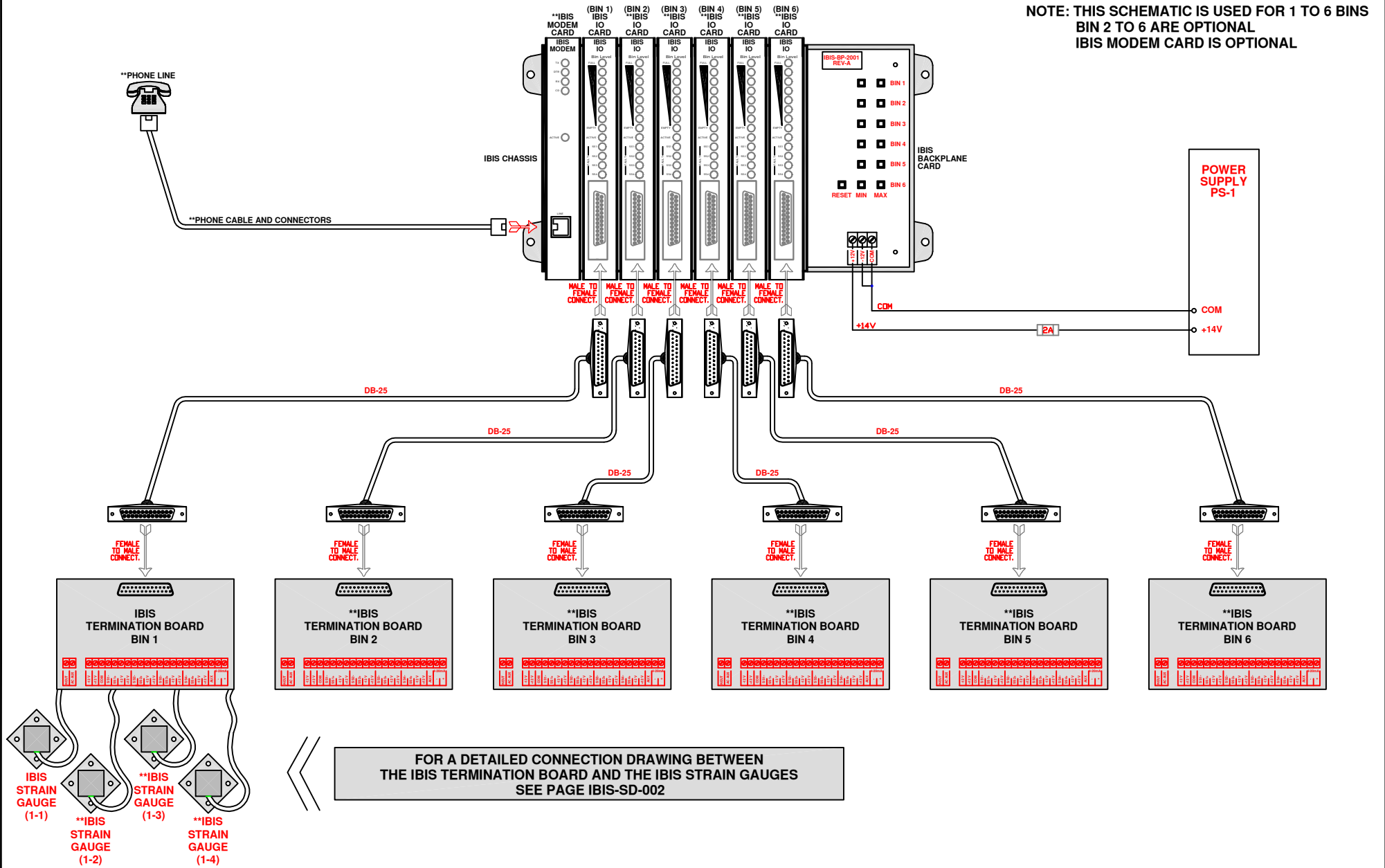


# IBIS SYSTEM - SCHEMATIC DIAGRAM

**NOTE: THIS SCHEMATIC IS USED FOR 1 TO 6 BINS  
BIN 2 TO 6 ARE OPTIONAL  
IBIS MODEM CARD IS OPTIONAL**



**NOTE: \*\* (OPTIONAL)**

REV	BY	D	M	Y	DESCRIPTION
A	KSM	15	04	02	ISSUED FOR INFORMATION

REV	BY	D	M	Y	DESCRIPTION

**GLC**  
CONTROLS INC.  
INDUSTRIAL AUTOMATION SOLUTIONS

Address: 2078 S. Quinn St.  
Prince George, B.C.  
Canada V2N 1X5  
Phone Numbers: (250) 562-4343  
Fax Numbers: (250) 562-4383

**IBIS**<sup>TM</sup>  
INDUSTRIAL BIN INFORMATION SYSTEM

**GLC CONTROLS INC.**  
PRINCE GEORGE, BRITISH COLUMBIA, CANADA  
IBIS SYSTEM  
SCHEMATIC DIAGRAM

DRAWN	KSM	DATE	11	04	02
APPD	JG	SCALE	AS	SHOWN	
GLC FILE	IBIS-SD-001.dwg				
<b>IBIS-SD-001</b>					<b>A</b>

DESTROY DRAWINGS BEARING PERVIDUIS TIME OR REVISION

4/15/02 9:10 AM